



Exit Button

Exit Button 3 x 3

Model EBP-B02A

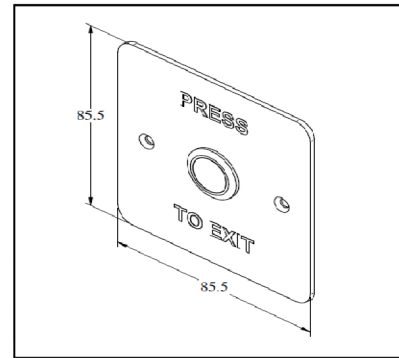


Description

Exit Button is designed to provide a reliable means of ingress/egress for access controlled openings in commercial and industrial facilities. The heavy duty stainless steel faceplate is designed to mount, depending on the model, into a single gang or narrow jamb electrical box.

Standard Features

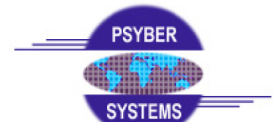
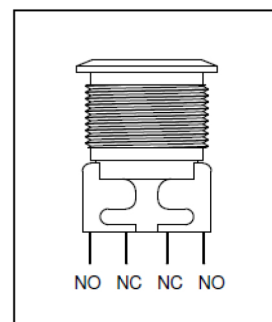
- No Power Required To Operate
- Vandal Resistant
- Stainless Steel Faceplate
- N.O. & N.C. Output



Specification

	EBP-B02A
Material	Stainless Steel
Momentary	Double Pole Double Throw
Max. Rating	5A, 125/250VAC
Operating Life	Over 100000 Times
Operating Travel	2.7 mm
Dimension	85.5 x 85.5 mm
Weight	0.13kg

Wiring Diagram



For The Best Business Solutions

DISCLAIMER:- Specifications are subject to change without prior notice.

- Attached photo is for reference purpose only, actual product may varies.

