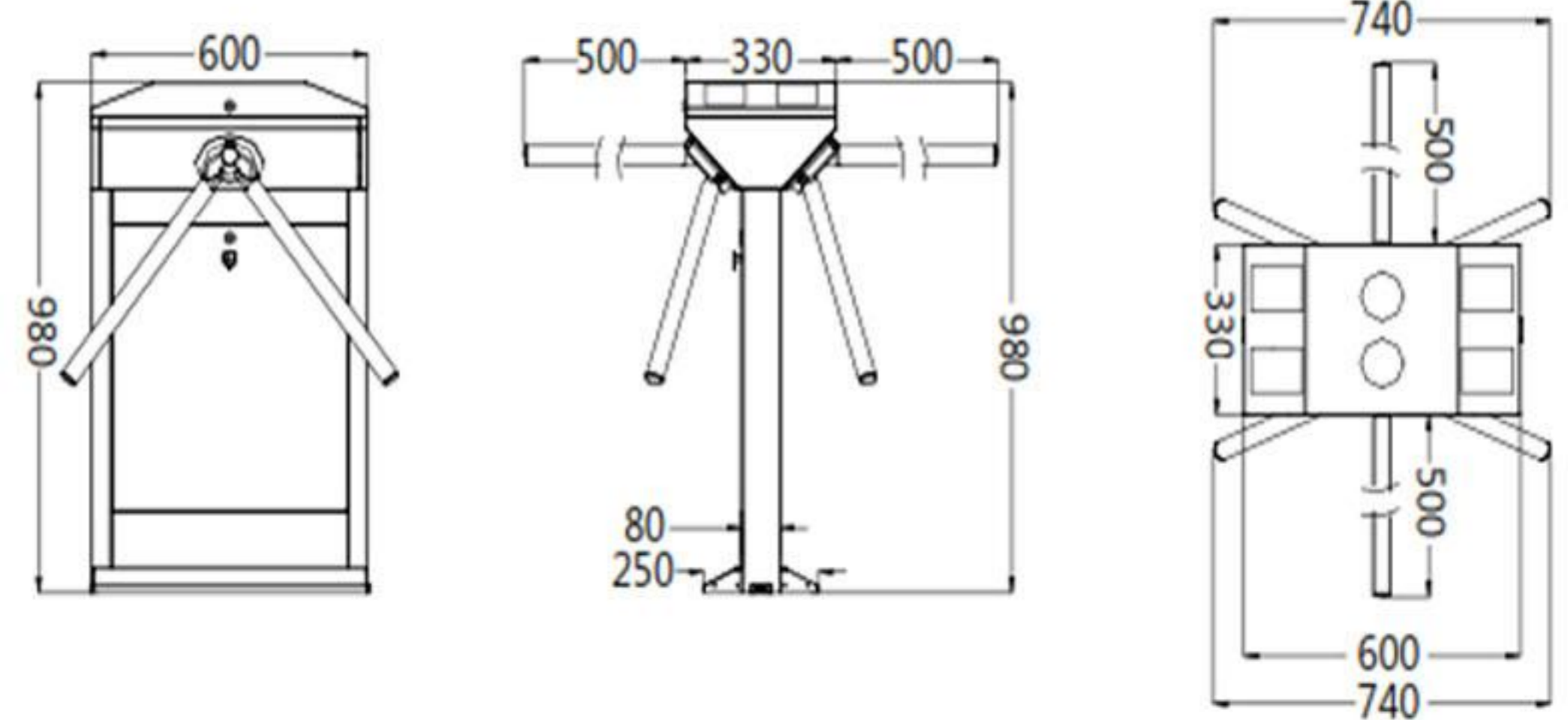


Dimension : (All units in mm)



Bi-direction type - TS1200 series:

TS1200	TS1211	TS1222
Tripod Turnstile	RFID	FP + RFID

➔ TS1222: Tripod Turnstile with Controller and Fingerprint Reader with RFID function

Type : Vertical Tripod
 Arm Length : 50cm
 Max tolerance of Arms : 80 Kg
 Angle per rotation : 120°
 Operation Type : Twoway - Bidirectional
 Flow Rate : 25-48 passages/minute
 Input control signal : Dry contact
 Ingress protection Degree : IP54
 Opening Duration : 5s - 60s
Primary controller (Inbuilt) :
 CPU : 32 bit Microprocessor
 Opening Signal Input : yes
 Emergency Switch Input : yes
 Direction Indicator Output : yes
 Passing Indicator Output : Yes
 Drop Arm Electromagnet Output : Yes
Secondary Controller :
 Users : 30,000
 Transaction storage ; 1,00,000

Integrated Controller : Inbio 260/Any access controller
 Relay ; 12 V relay for lock
 Support Fire Alarm : Yes
 Door Sensor : Yes / Anti Passback : Yes
 Reader : RFID : yes
 Fingerprint : No
 Protocol : RS485 / Mifare/Proxy : Yes
Optional Interface :
 Any Standalone access controller system
 Eg. X990, IFACE, SC403,X7,SF101,F702 etc.
Power Supply :
 SMPS - Input : AC 220V / 110V, 50Hz / 60Hz
 SMPS - output : DC +24V, 5A; +12V, 3A
 Dimension(mm) : L = 520, W = 280, H = 980
 Gross Weight : 63kg
 Operating Temperature : -28°C to +60°C
 Operating Humidity : 5% - 85%
 Operating Environment : Indoor & Outdoor