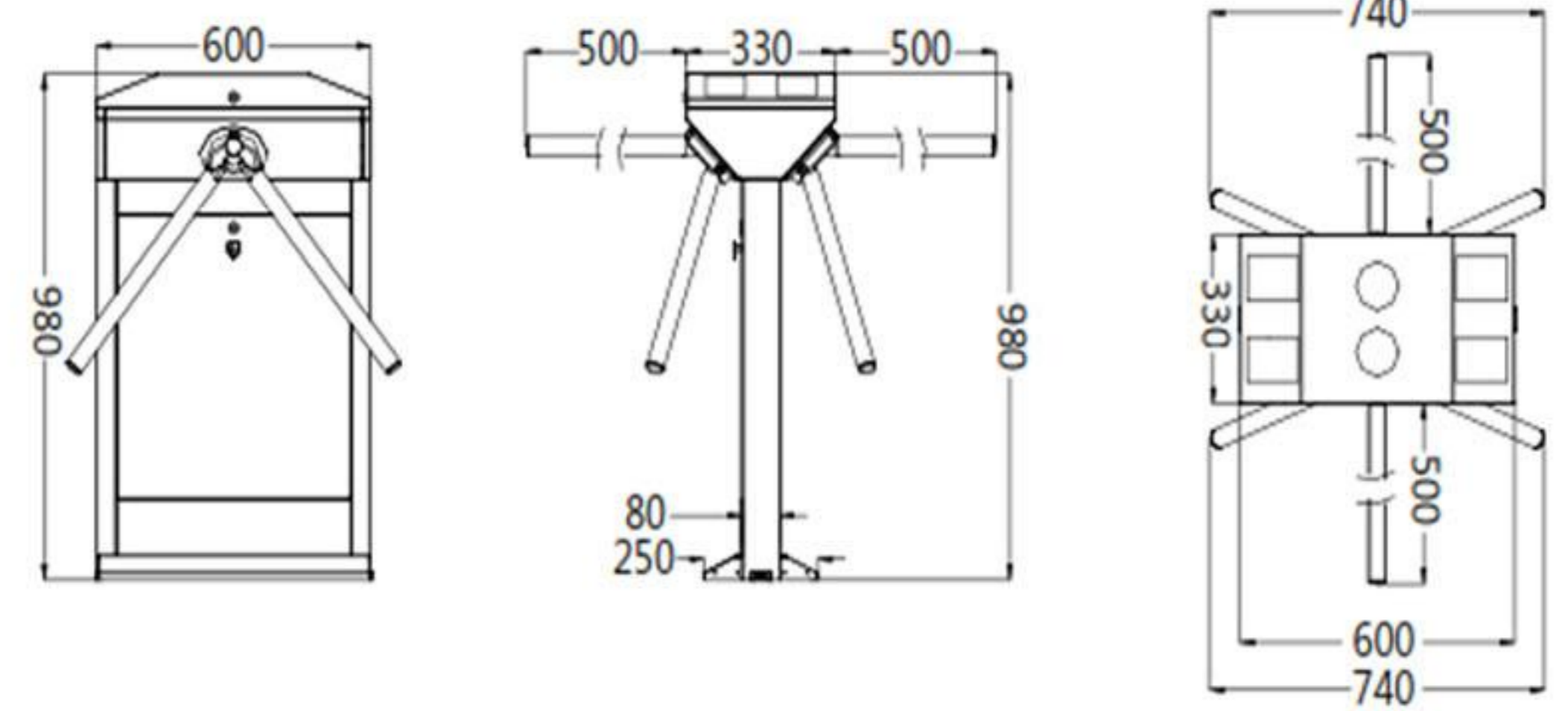


### Slim bridge type - TS2100 series:

TS2100	TS2111	TS2122
Tripod Turnstile	RFID	FP + RFID

Dimension : (All units in mm)



## ➔ TS2122 : Tripod Turnstile with Controller and Fingerprint Reader with RFID function

Type : Slim Bridge Tripod  
 Arm Length : 50cm  
 Max tolerance of Arms : 80 Kg  
 Angle per rotation : 120 °  
 Operation Type : Oneway - Bidirectional  
 Flow Rate : 25-48 passages/minute  
 Input control signal : Dry contact  
 Ingress protection Degree : IP54  
 Opening Duration : 5s - 60s  
**Primary controller (Inbuilt):**  
 CPU : 32 bit Microprocessor  
 Opening Signal Input : yes  
 Emergency Switch Input : yes  
 Direction Indicator Output : yes  
 Passing Indicator Output : Yes  
 Drop Arm Electromagnet Output : Yes  
**Secondary Controller :**  
 Users : 30,000  
 Transaction storage ; 1,00,000

Integrated Controller : Inbio 260/Any access controller  
 Relay : 12 V relay for lock  
 Support Fire Alarm : Yes  
 Door Sensor : Yes / Anti Passback : Yes  
**Reader : RFID : yes**  
 Fingerprint : No  
 Protocol : RS485 / Mifare/Proxy : Yes  
**Optional Interface :**  
 Any Standalone access controller system  
 Eg. X990, IFACE, SC403,X7,SF101,F702 etc.  
**Power Supply :**  
 SMPS - Input : AC 220V / 110V, 50Hz / 60Hz  
 SMPS - output : DC +24V, 5A; +12V, 3A  
 Dimension(mm) : L = 520, W = 280, H = 980  
 Gross Weight : 53kg  
 Operating Temperature : -28°C to +60°C  
 Operating Humidity : 5% - 85%  
 Operating Environment : Indoor & Outdoor